

Ryton Rotary Hand Pump

Model No. DM-55RHP-SR

**Excellent for transferring all liquids & petroleum based solvents
fuels and oils that are compatible with Ryton, 304SS & Teflon™**

This is an advanced quality *Ryton Rotary Hand Pump* useful for most drums and tanks with a 2" Npt bunghole. Made from virgin grade oxidation resistant Ryton, Stainless Steel and PTFE. It can be mounted on 2" Npt bung holes of 15, 30, 55 gallon drums or bunged tanks.

Capable of transferring petroleum based liquids such as fuels, oils, brake and transmission fluids and solvents, this drum pump will also dispense water based chemicals, detergents, cleaners, and aggressive chemicals such as esters, ketones, alcohols, hydrocarbons and many other liquids up to medium thickness of 800 Cps (SAE-50, 5000 SSU). With a curved discharge spout, the pump will deliver liquids into small containers on the drum/tank lid, and with an optional attached hose, deliver liquids to a reasonable distance. The pump is designed for rugged duty use in the shop, factory, field, dock, landing strip and other facilities.



Features:

- Self-priming hand pump, dispenses approximately 12 ounces, per rotation
- Made from oxidation resistant Ryton (PPS), PTFE and Stainless Steel
- 2" bung adapter & 3-piece SS suction tube to fit most 15, 30, 55 gal. drums
- Ideal for petroleum based products and soluble, corrosive, volatile and aggressive chemicals, such as Esters, Alcohols, Alkali, Acids, Hydrocarbons and any fluids compatible with the pump materials of construction

Specifications:

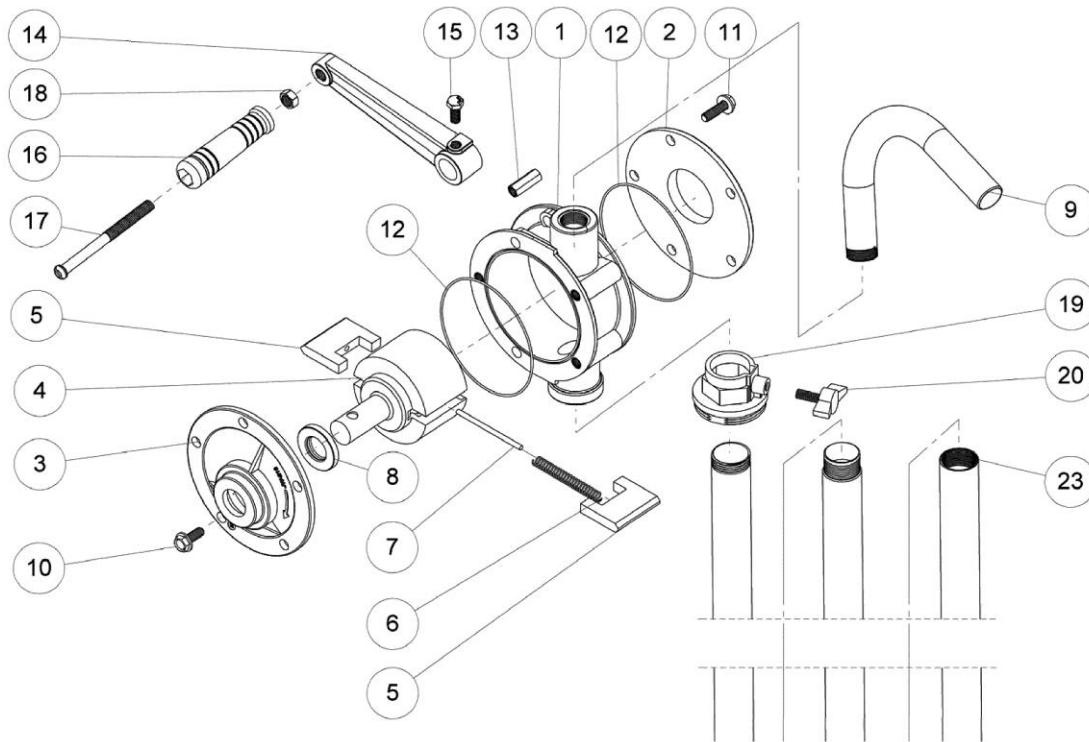
- Pump Type: Rotary, Vane
- Component Materials: Ryton, (PolyPhenylene Sulfide), 304SS, PTFE
- Over-all Length: 52 inch
- Flow: 12 oz / Stroke, 6 Gpm @135 RPM - Self priming
- Maximum Fluid Temperature: 140°F (60°C)
- Mounting: 2" MNPT Bung Adapter
- Suction Tube Material: 304 Stainless Steel
- Suction Tube: 40" Maximum length, 3 Piece Tube
- Suction Inlet: 1.25 " O.D.
- Discharge Outlet Material: 304 Stainless Steel
- Discharge Outlet: 1" O.D. Curved Spout
- Maximum Viscosity: 800 Cps (Centipoise), SAE-50, 2000 SSU (Saybolt Units)
- Option: PE Extension Hose
- Packing: 6pcs/master ctn, Net Wt: 35.2 lbs. (16kgs), Gross Wt: 39.6 lbs. (18kgs), Cu. Ft: 2.2'

Model DM-55RHP-RS Repair Parts List



REF NO. FROM 2007.01	DESCRIPTION	MATERIAL	Q'TY	USED NO.
1	Pump Casing	PPS	1	3
2	Rear Cover	PPS	1	2
3	Front Cover	PPS	1	9
4	Rotor	PPS	1	4
5	Vane	PHENOLIC	2	5
6	Spring	304S.S.	1	6
7	Spring Rod	304S.S.	1	7
8	Lip Seal	Teflon	1	8
9	Discharge Spout	304S.S.	1	1
10	Cap Screw	304S.S.	4	10
11	Cap Screw	304S.S.	6	23
12	O-Ring	PTFE	2	20
13	Hex Bridge	Brass	2	19
14	Crank Arm	Aluminum	1	11
15	Set Screw	SS41	1	16
16	Handle	Nylon	1	12
17	Handle Shaft	SS41	1	17
18	Hex Nut	SS41	1	18
19	Bung Adaptor	Aluminum	1	14R
20	Thumb Screw	SS41	1	15
21	Suction Tube	304S.S.	1	21
22	Suction Tube	304S.S.	1	22
23	Suction Tube	304S.S.	1	13

Parts Exploded View



DRUM-MATES, Inc.
Process Equipment Div.
 Email: info@drummates.com
 Tel: 609-261-1033, Fax: 609-261-1034