

DM-200ADA/NL Series, Lube-Free Motors

3/4 Hp, 500-2000 Rpm (Unloaded), Foot, Face, NEMA56C Mount

MODEL

NL42-NCC-1

(4 Vanes, CCW Rotation)

NL42-NCW-2

(4 Vanes, CW Rotation)

Net wt. 18 lbs. (8,2 kg)

NL42-NCC-5

(4 Vanes, CCW Rotation)

NL42-NCW-6

(4 Vanes, CW Rotation)

NL42-NCC-7

(4 Vanes, CCW Rotation)

Net wt. 21 lbs. (9,5 kg)

FEATURES

- Hub or foot mounting
- Treated body, rotor, and end plates for corrosion resistance
- No lubrication necessary - no contaminated air in the work area
- Any plane operation
- Metal muffler AC980 adds 2" height when installed

-  II 2 GD c T4

RECOMMENDED

- Filter AH103F
- Regulator AH104R
- Gauge AA806
- Repair kit K580

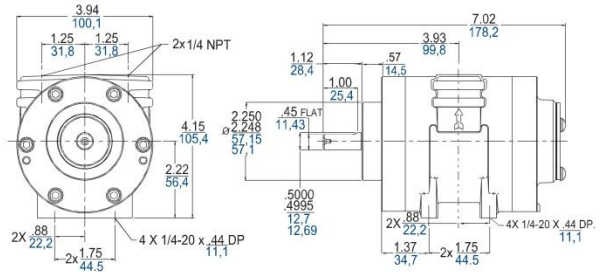
OPTIONAL

- Foot kit AL414 - each of these models can be turned into foot mounted styles with the installation of optional foot kit AL414, which will add approx. 2" height to the air motor



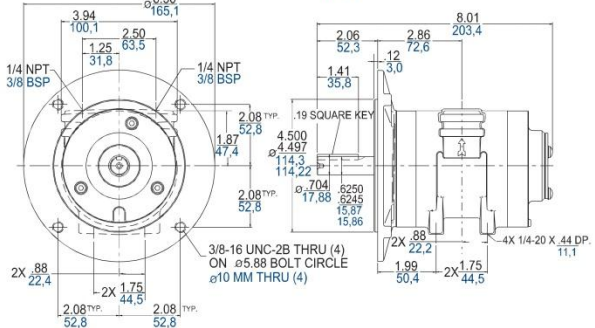
Hub mounting (NL42-NCC-1, NL42-NCW-2)

inches / mm



NEMA 56C, U.S. - (NL42-NCC-5, NL42-NCW-6) D71 Flange, Metric - (NL42-NCC-7)

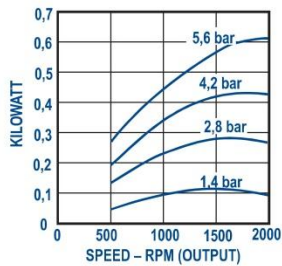
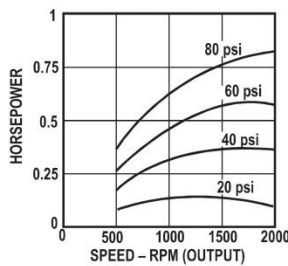
inches / mm



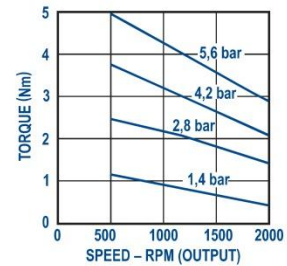
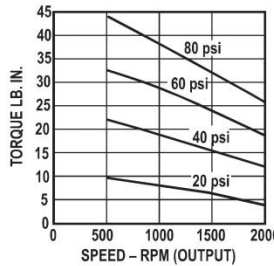
- Hub mounting model shown with optional foot assembly kit which can be purchased separately.

- Flange style is shown in schematic

Output Power vs. Speed



Torque vs. Speed



Air Consumption vs. Speed

