

# DM-55ADA/LF-MO Series, Lube-Free Motors

## 2 Hp/80 Psi, 20-2000 Rpm (Unloaded), Foot, Face, NEMA56C Mount

### MODEL

#### NL52-NCC-1

(4 Vanes, CCW Rotation)

#### NL52-NCW-2

(4 Vanes, CW Rotation)

Net wt. 13 lbs. (6 kg)

#### NL52-NCC-3

(4 Vanes, CCW Rotation)

#### NL52-NCW-4

(4 Vanes, CW Rotation)

Net wt. 14.5 lbs. (6,6 kg)



### FEATURES

- Hub, NEMA 56C, 6AM, or foot mounting
- Treated body, rotor, and end plates for corrosion resistance
- No lubrication necessary - no contaminated air in the work area
- Any plane operation
- Metal muffler AC990 adds 2" height when installed



### RECOMMENDED

- Filter AH106F
- Regulator AH107R
- Gauge AA806
- Repair kit K833

### OPTIONAL

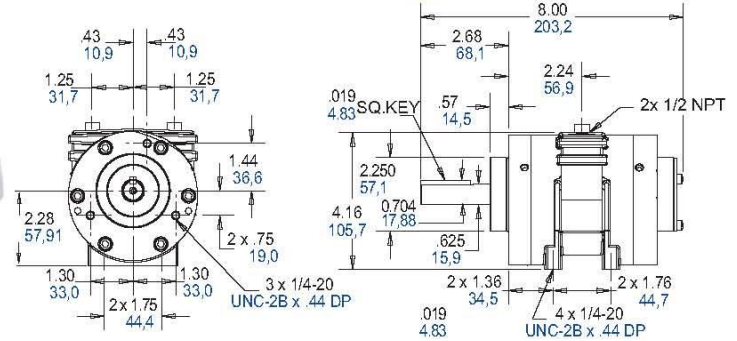
- Foot kit AL414 - each of these models can be turned into foot mounted styles with the installation of optional foot kit AL414, which will add approx. 2" height to the air motor

- Hub mounting model shown with optional foot assembly kit which can be purchased separately.



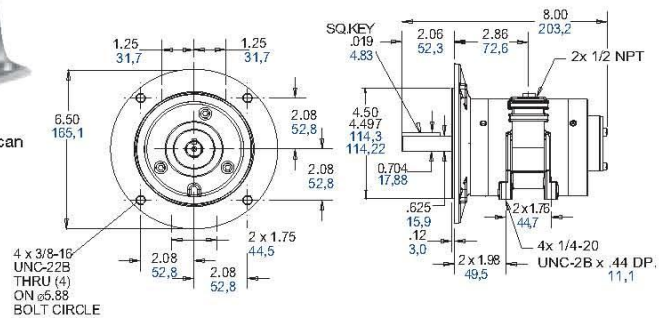
### Hub mounting (NL52-NCC-1, NL52-NCW-2)

inches / mm



### NEMA 56C, U.S. - (NL52-NCC-3, NL52-NCW-4)

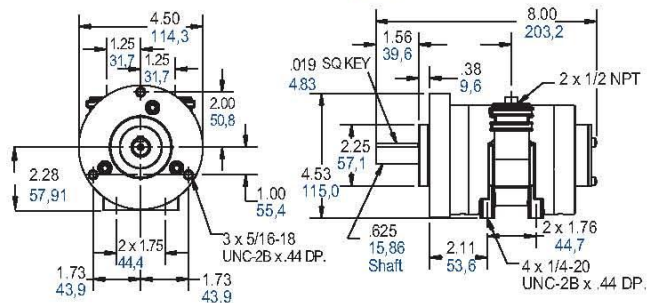
inches / mm



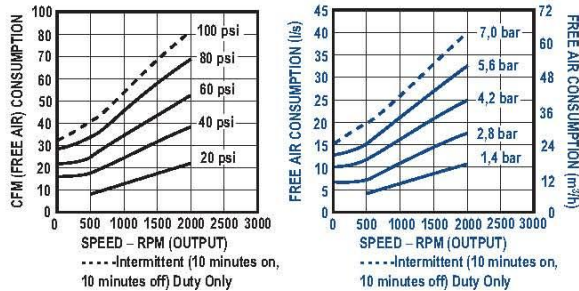
### 6AM Hub Mounting (NL52-NCC-5, NL52-NCW-6)

Mounting identical to 6AM-NRV-7A for field replacement

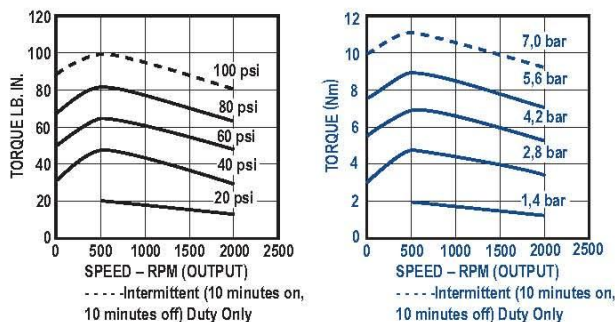
inches / mm



### Air Consumption vs. Speed



### Torque vs. Speed



### Output Power vs. Speed

